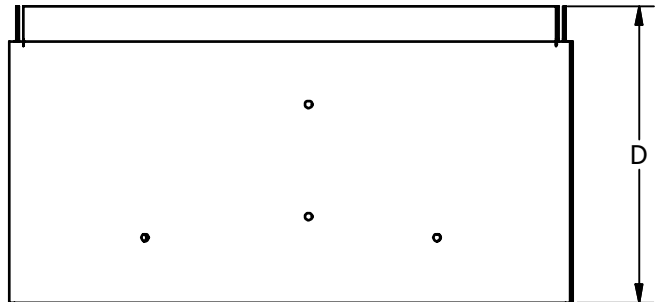
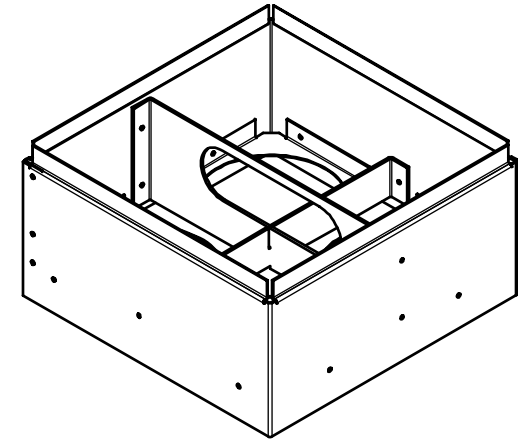
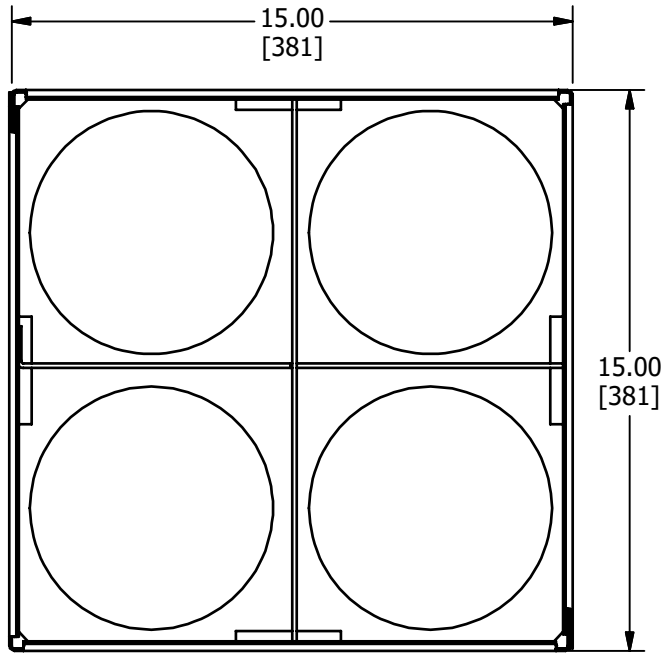
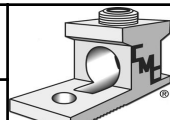


S.NO	CATALOG NUMBER	D
1	BAMC-11	11 [279]
2	BAMC-8	8 [203]



MATERIAL: ALUMINUM
4 METERS STACKABLE

					TO ORDER CMC PRODUCTS	DRAWN BY: TS 04-02-20	NAME OF PART: RAIN PROTECTED METER CARRIER	CAT. NO.: SEE TABLE
					UNITED STATES 1-513-860-4455	CHECKED BY:	DWG NO: UB22700107-S (CHARTED)	A
					CANADA 1-800-361-6975	DRAWING NOT TO SCALE		SHEET NO: 1 OF 1
					MEXICO 011-52-722-265-4400			
A	NEW DRAWING CREATED		04-02-20	TS	FOR PRODUCT INFO www.cmcugs.com			
REV.	DESCRIPTION	ECN	DATE	INIT.				

THIS INFORMATION IS PROPRIETARY TO CONNECTOR MFG. CO. AND IS NOT TO BE DISCLOSED OUTSIDE OF CONNECTOR MFG. CO. WITHOUT A CONFIDENTIALITY AGREEMENT



CONNECTOR MANUFACTURING CO.

HAMILTON, OHIO